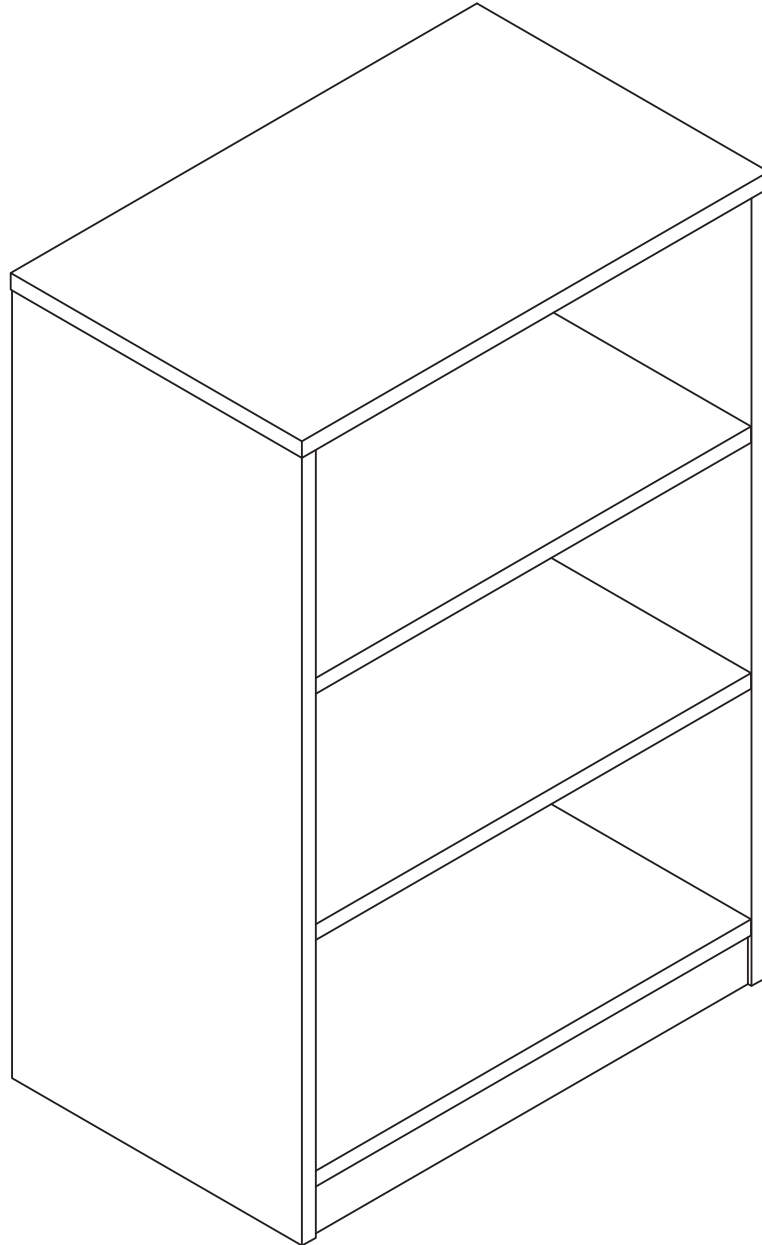




3-Tier Bookshelf Assembly

SKUS: 1320414, 1320421



NEED HELP?

1-800-444-8444

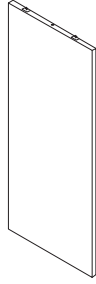
warranty@rizehome.com



Video
Assembly

INCLUDED PARTS

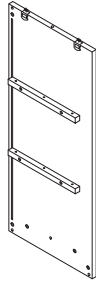
A



**Right Side
Panel**

1 pcs

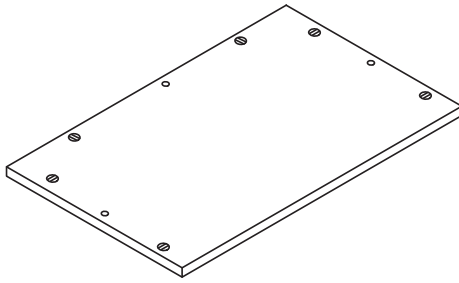
B



**Left Side
Panel**

1 pcs

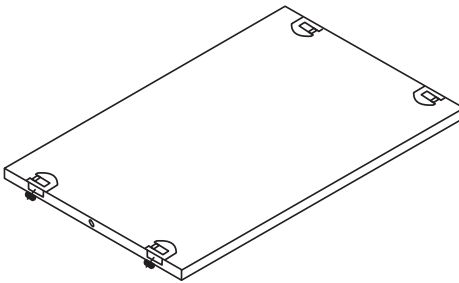
C



Top Panel

1 pcs

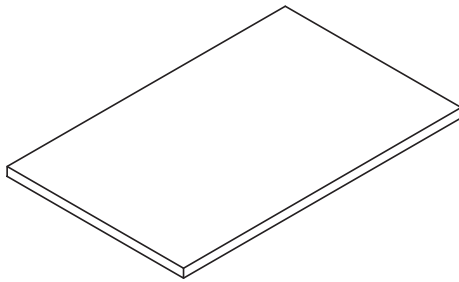
D



**Bottom
Panel**

1 pcs

E

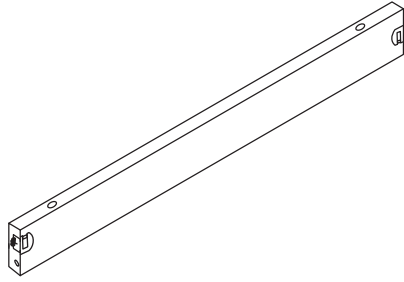


Shelf

2 pcs

INCLUDED PARTS

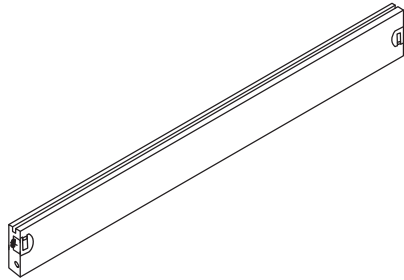
F



**Lower Front
Crossbar**

1 pcs

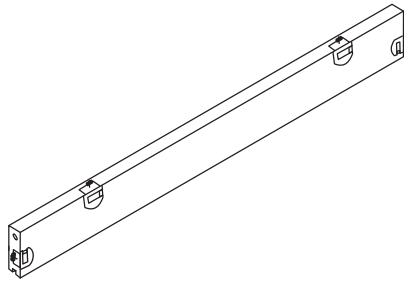
G



**Lower Rear
Crossbar**

1 pcs

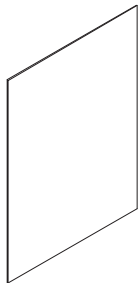
H



**Upper Rear
Crossbar**

1 pcs

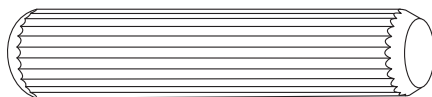
I



**Back
Panel**

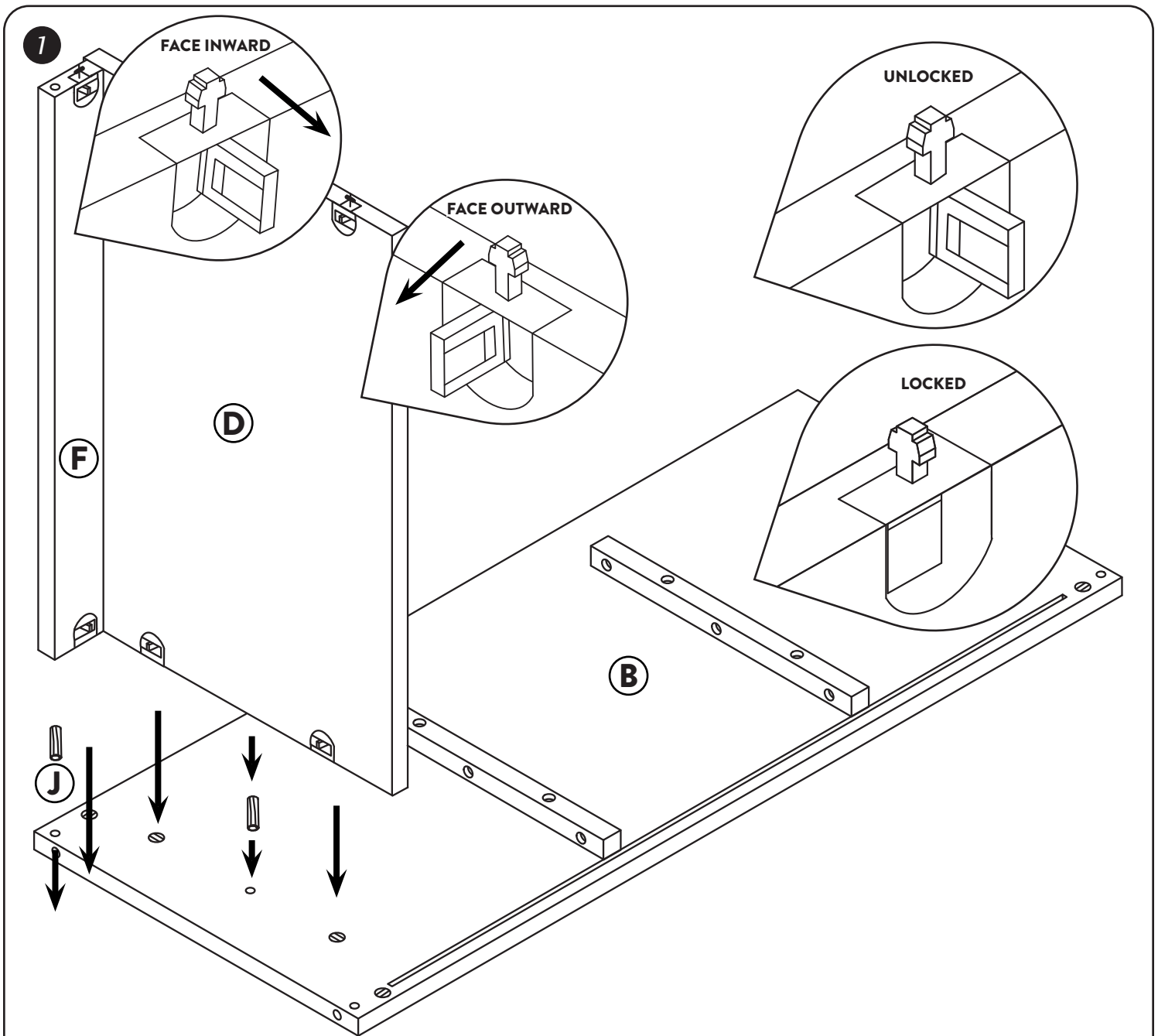
1 pcs

J



Dowels

11 pcs



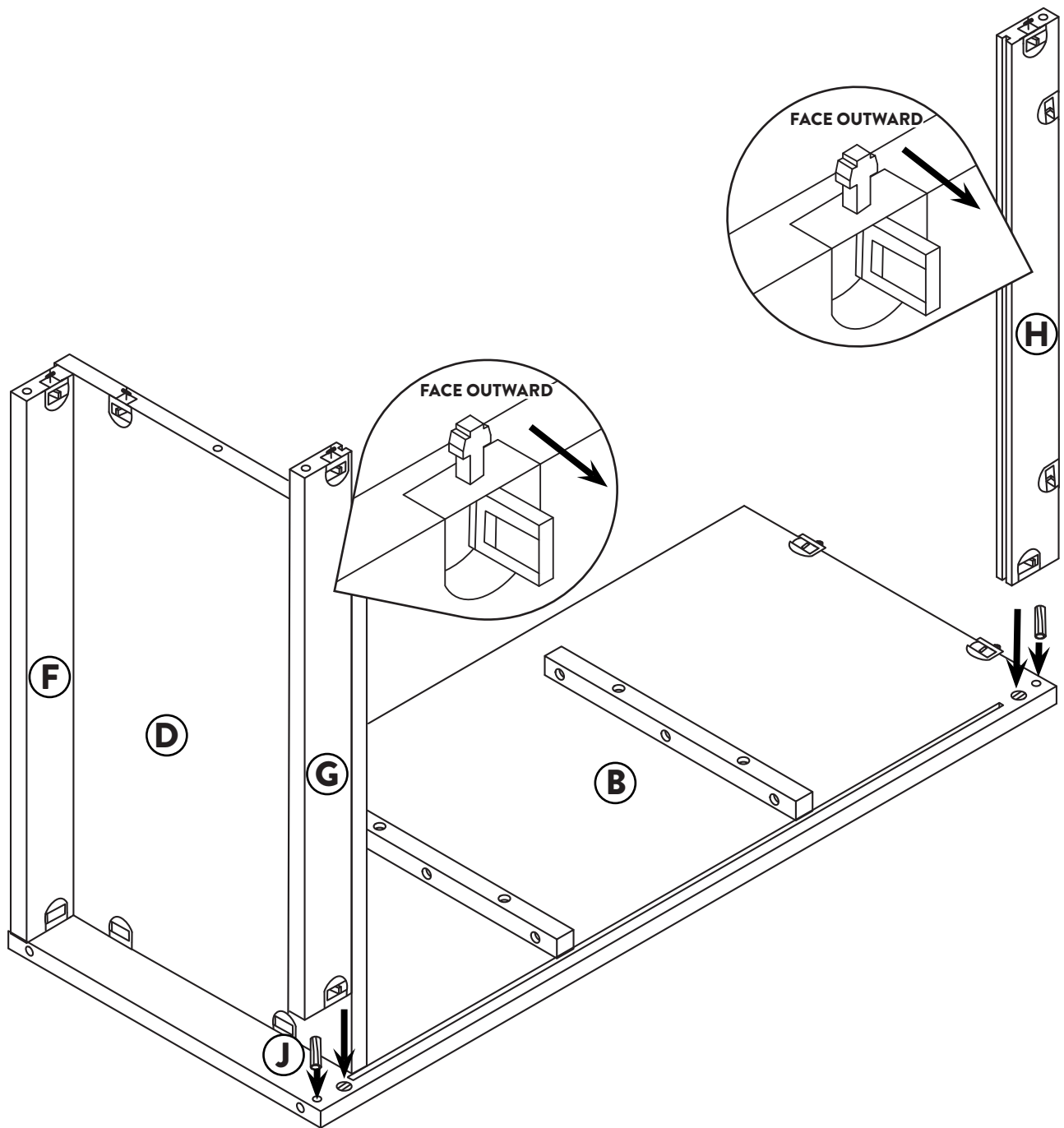
Lay Left Side Panel (B) flat on the ground. Connect both the Lower Front Crossbar (F) and Bottom Panel (D) to the Left Side Panel (B) with two Dowels (J). Flip the cam levers inward to lock in place.

NOTE: Make sure the cam levers on Lower Front Crossbar (F) face inward, and the cam levers on the Bottom Panel (D) face outward. The cam lever is unlocked when the grooved side is visible and can be felt, and locked when the flat side is visible and smooth.



Step 1 Video
Assembly

2



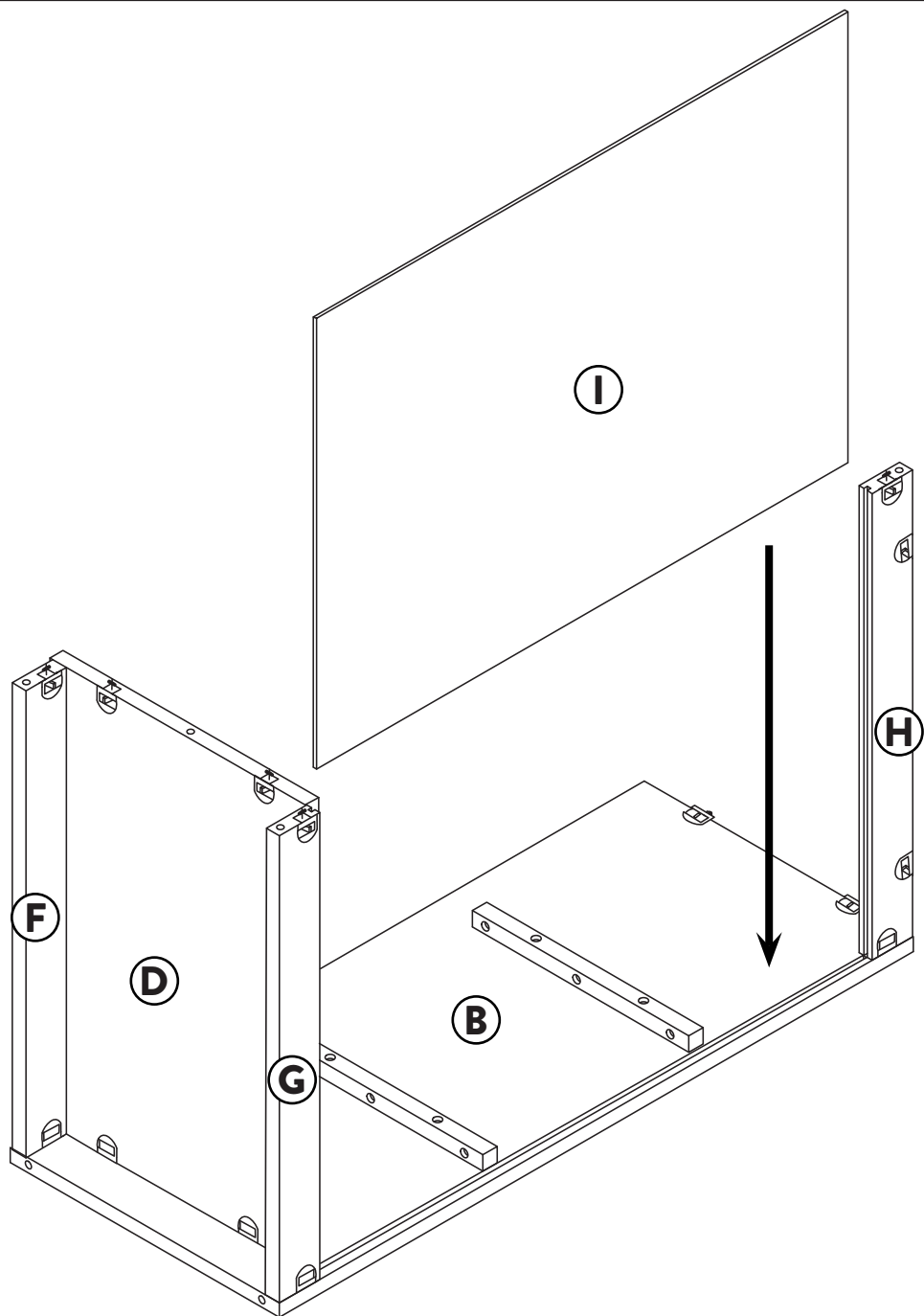
Attach the Lower Rear Crossbar (G) and Upper Rear Crossbar (H) using two Dowels (J). Flip the cam levers inward to lock in place.

NOTE: Make sure the cam levers on Lower Rear Crossbar (G) and Upper Rear Crossbar (H) face outward.



Step 2 Video
Assembly

3

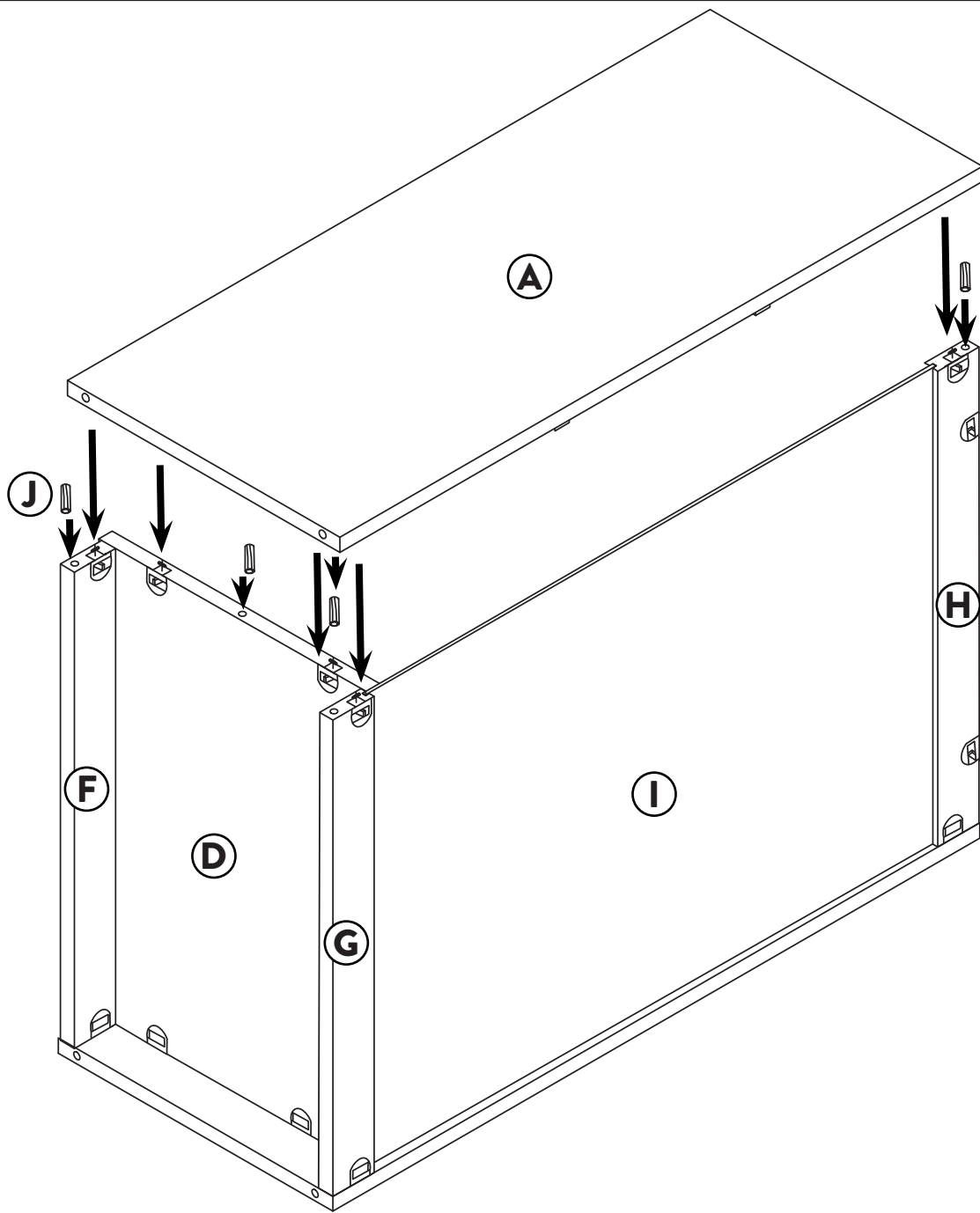


Slide the Back Panel (I) into the grooves of the Left Side Panel (B), Lower Rear Crossbar (G), and Upper Rear Crossbar (H) for a secure fit.



Step 3 Video
Assembly

4

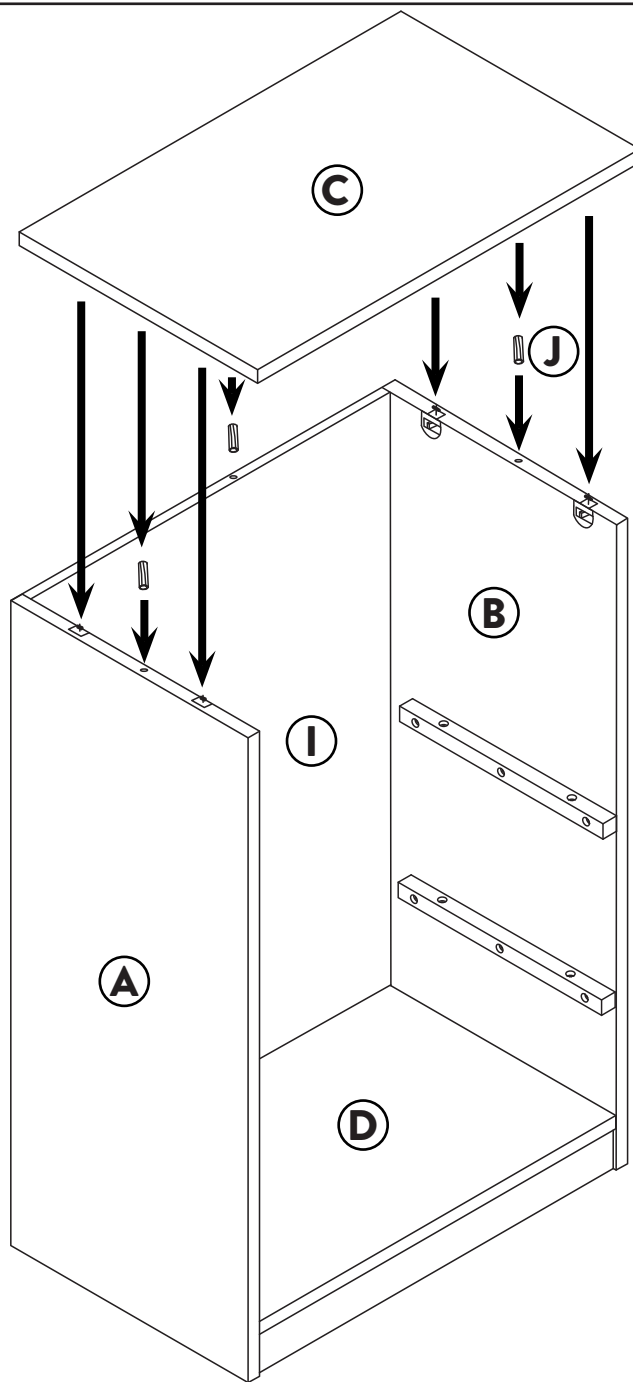


Place the Right Side Panel (A) on top of the assembled structure and secure it with four Dowels (J). Then, flip the five cam levers on the Bottom Panel (D), Lower Front Crossbar (F), Lower Rear Crossbar (G), and Upper Rear Crossbar (H) inward to lock in place.



Step 4 Video
Assembly

5

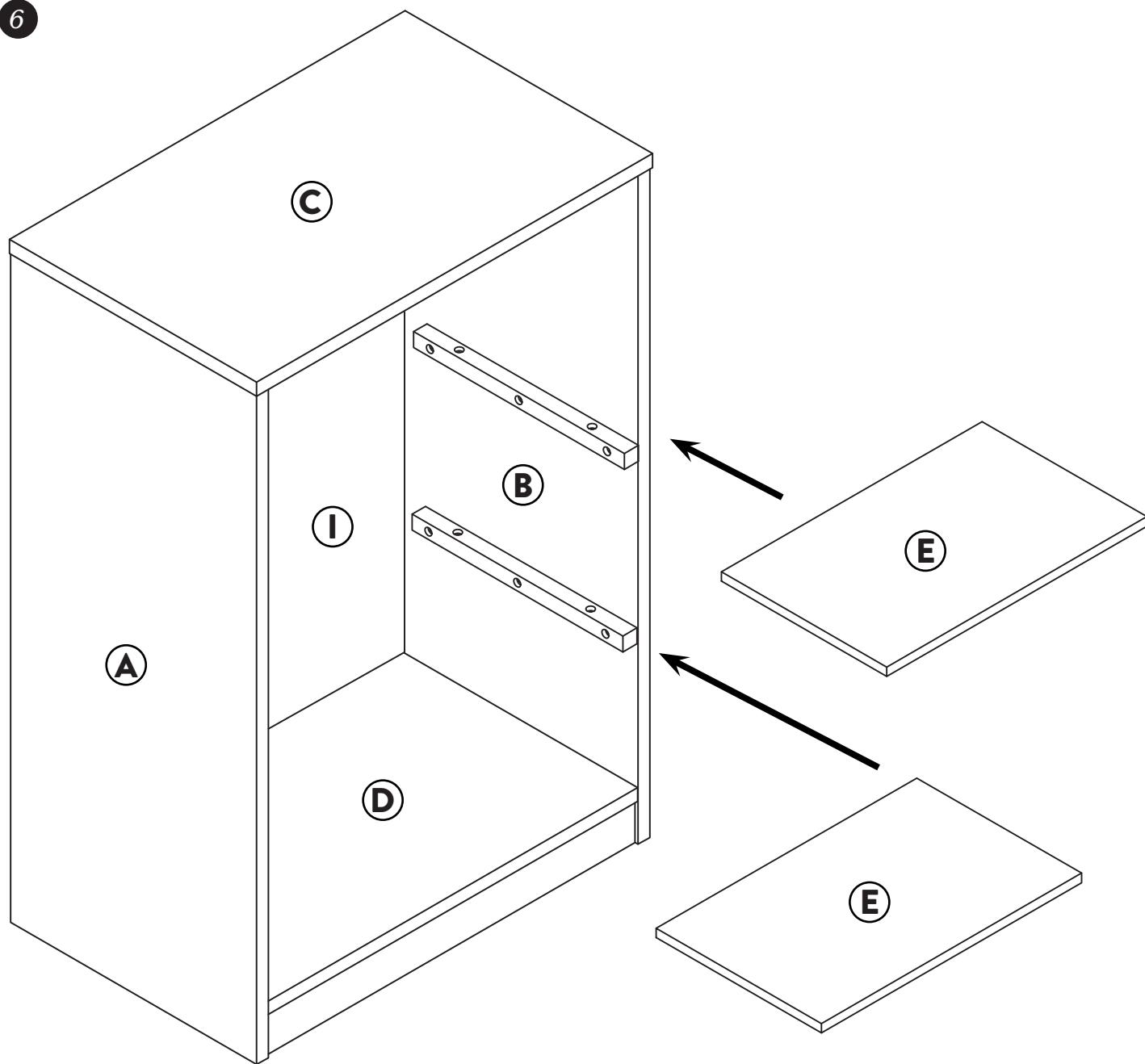


Turn the bookshelf upright. Attach the Top Panel (C) using three Dowels (J). Flip the six cam levers on the Right Side Panel (A), Left Side Panel (B), and Top Panel (C) inward to lock in place.



Step 5 Video
Assembly

6



Insert Shelves (E) into the assembly.



Step 6 Video
Assembly